

K-SERIES
1050K CRAWLER DOZER



JOHN DEERE



***STEADY AND
ROCK SOLID***



1050K



BRE



RELIABLE



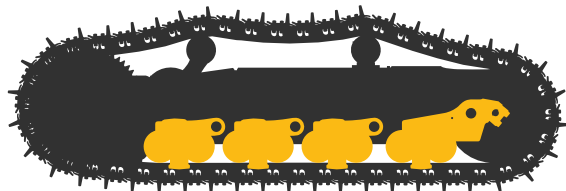
PRODUCTIVE

TAKE THROUGH.



ON THE DOUBLE.

When jobsites are rough and rocky, you need a crawler dozer that can handle the harshness. With its new suspended double-bogie undercarriage that can absorb vibrations caused by rough operating conditions, the 1050K rides smoother and is more durable than previous models. A reduction of peak vibrations in the cab by up to 75 percent helps operators carry on in comfort while moving faster, boosting production. But that's not all. Both Extended Life and Heavy-Duty undercarriage options with sealed and lubricated track (SALT) are available to match your application. When it comes to your operation, we've smoothed the way for a pretty productive ride.



SMOOTH OPERATOR

Thanks to input from our Customer Advocate Group, the 1050K Crawler Dozer now features a suspended double-bogie undercarriage designed to deliver a smoother ride over troublesome terrain than earlier models.

POWER UP.

CONTROL ON THE GO

The 1050K's dual-path hydrostatic transmission allows you to push a full load through turns without losing material, unlike torque-converter transmissions on many competitor machines. John Deere PowerTech™ engine delivers an excellent power-to-weight ratio to provide the traction needed to push more material. So you can get more done without a lot of extra effort.

Set and forget

Simply set maximum desired ground speed, and the power-management system automatically maintains peak engine rpm and efficiency without stalling or shifting.

Underneath it all

New suspended double-bogie undercarriage is designed to reduce peak vibrations in the operator station by up to 75 percent, minimizing breakdowns and wear caused by harsh impacts in rocky environments and boosting productivity.

Pitch perfect

Hydraulic power-pitch option allows the operator to adjust blade pitch on the go from the cab to optimize blade control throughout the push. Using programmable return-to-pitch settings, blade-pitch positions can be preset or activated at the touch of a button.

Let it ride

This crawler steers the same and maintains its preset speed whether working on level ground or a 2-to-1 slope. So there's no need to cross-steer or ride a brake.

Fuel saver

Standard Eco mode maximizes fuel economy without loss of performance, automatically adjusting engine rpm and transmission settings based on load to burn up to 15-percent less fuel depending on application.

Take control

Thanks to EH controls, the 1050K Dozer is grade-control ready, making adding a system as easy as plugging in the components, calibrating, and going to work, whether you prefer Leica, Trimble, or Topcon.

Smooth operator

Independent track control speeds up or slows each side — for smooth, full-power turns.



UP TO 75% FEWER PEAK VIBRATIONS

WITH NEW SUSPENDED
DOUBLE-BOGIE UNDERCARRIAGE



STANDOUT FEATURE



SINGLE- OR MULTI-SHANK

RIPPER OPTION



RIP HARD GROUND FAST

WITH HYDROSTATIC
TRANSMISSION'S AUTOMATIC
ADJUSTMENTS OF SPEED
& TORQUE

VS.

LET 'ER RIP.

OPT FOR JOBSITE VERSATILITY

Rugged John Deere rear rippers are configured either as a larger single shank or in a row of three evenly spaced shanks. Choose the style to match the application, whether your work is in roadbuilding, quarry or mining, land clearing, site development, or general earthmoving.

Tough taskmaster

Heavy-ripping single-shank ripper delivers concentrated force to break up rock, hard-packed or frozen soil, and concrete. With an overall beam width of only 4 feet 8 inches and maximum penetration of 3 feet 7 inches, you can get in and dig deep.

Multiple choice

Our multi-shank ripper with hydraulic-pitch adjustment is ideal for breaking top surfaces and in various ground conditions. Ripping width of 7 feet 2 inches allows you to cut a wider swath and cover more ground in fewer passes.

Angle of attack

Inspired by pipeliners, the redesigned mechanical-angle blade is built by John Deere to withstand the most demanding applications on pipeline rights-of-way.

Ready, set, go

Variable-pitch parallelogram single- or multi-shank ripper can be adjusted on the go, for increased productivity.

Rugged construction

Deere ripper shanks are fitted with durably constructed tungsten steel-alloy tips, or "boots," that can be easily replaced if needed.

Hydraulic pin puller

Opt for a single-shank ripper equipped with a hydraulic pin puller to effortlessly adjust the depth of the ripper shank from the cab.





**HIGH-BACK SEAT
ANGLES 15° &
ADJUSTS 7 WAYS**



Stow it away

Beyond cup holders and cooler storage, there are plenty of places to store stuff. If you're running a grade-control system, the lockable in-dash compartment is ideal for end-of-day storage — or permanent placement — of the monitor. Overhead radio and storage console includes a 12-volt electrical outlet for powering mobile devices.

Command performance

Low-effort controls command blade curvature and the full-featured hydrostatic drivetrain, delivering predictable response at all times and virtually eliminating jerky or abrupt movements.

Easy does it

Ergonomically correct joystick provides intuitive, low-effort control of steering, direction, and ground speed. Detented so it doesn't require an operator's constant touch or attention, it employs a thumb-actuated travel-speed-control switch.

TMC

Total Machine Control (TMC) monitor lets an operator select decelerator mode and response, forward/reverse ground-speed ranges, steering modulation, F-N-R shift rate, and forward/reverse speed ratios, for superb control.

Slow and steady

Use the decelerator to slow both ground speed and engine rpm, or ground speed only, to help maintain traction without affecting engine power and hydraulic response. Fully depressing the pedal applies the brakes.

Take a load off

Deluxe suspension high-back seat is angled 15 degrees to provide a clear view of the rear ripper. Seat adjusts seven ways for daylong comfort. Arm- and footrests are also fully adjustable to fit almost any size operator.

All-weather friends

Fully enclosed cab is equipped with an air conditioner/heater. Numerous directional vents keep the glass clear and interior comfortable.

Forget your keys

Sealed-switch module (SSM) gives fingertip control of keyless start. Touchpad security system requires a numeric pass code (when enabled) to help prevent unauthorized machine operation.

At your fingertips

Enhanced multifunction LCD color monitor provides push-button access to a wealth of machine info. It also enables customization of machine settings.



AT HOME IN THE CAB

WELCOME TO THE COMFORT ZONE.

Who wouldn't be more productive in the 1050K's noticeably quiet and spacious walk-through cab? This dozer is loaded with all the fatigue-beating amenities an operator needs to get "in the zone" and get more done, including a new suspended double-bogie undercarriage that reduces vibrations in the cab by up to 75 percent, smoothing the ride over rough terrain.

SERVICE ADDS TO THE STRENGTH

MAINTAINING THIS BIG IRON ISN'T A BIG DEAL.

Within reach

Large hinged doors provide access to dipsticks, fill tubes, maintenance-free batteries, and vertical filters. Convenient service points make quick work of the daily routine. Operator station tilts a full 70 degrees in only minutes, for wide-open drivetrain-component access.

Keep your cool

Easily cleaned cooler design features standard reversing fan that automatically back-blows the cooler cores at preset intervals. Simply press a button to actuate the reversing cycle when needed.

Auto-idle and auto shutdown

Auto-idle automatically reduces engine speed when the machine is not moving and no functions are active. Auto shutdown turns off the engine after extended inactivity.

The power of one

Both Extended Life and Heavy-Duty undercarriages with sealed and lubricated track (SALT) have a no-nonsense oval-track design with only one wear-causing forward-travel flex point, for longer life. One-piece welded mainframe resists torsional stress, absorbs shock loads, and delivers maximum strength while allowing handy service access to major components.

Lube express

Remote lube banks provide easy access for lubrication of crossbar and C-frame pivots. Separate hydraulic and hydrostatic reservoirs eliminate the possibility of cross-contamination.

Take on trash

Flush-fit bottom guards and tight-fitting side shields help keep trash out. Hood and side-shield perforations function as "first filters," further blocking most debris. Smooth idler-to-sprocket covers shed material, with wide space between the track frames and mainframe further easing cleanout.

When it's cold as ice

Opt for Hydra™ XR oil and durable exterior arctic hoses for work in extreme cold-weather environments.

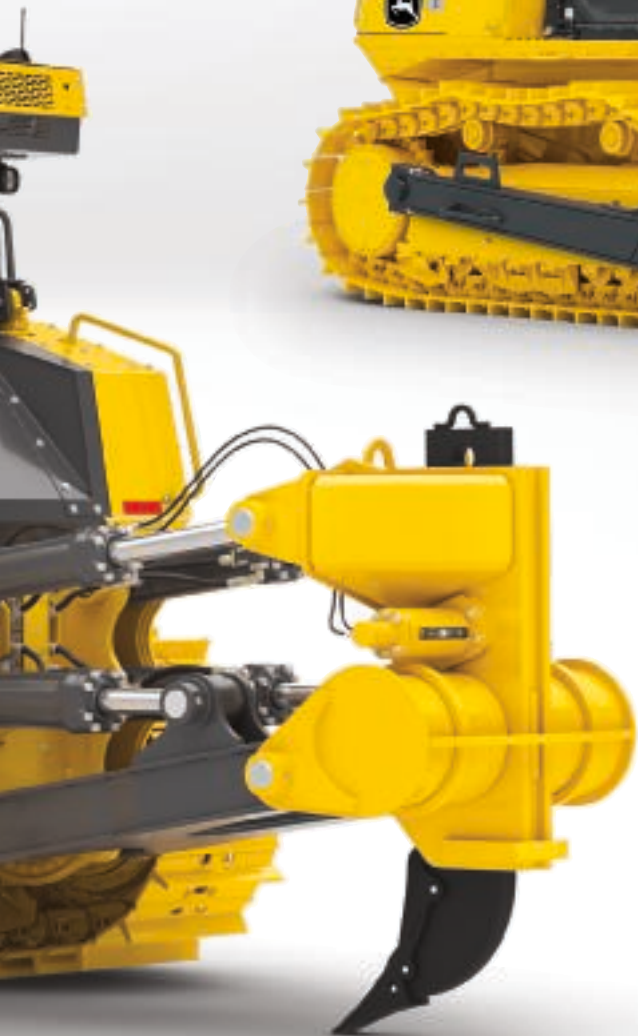


Get valuable insight with

PRECISION CONSTRUCTION TECHNOLOGY

This suite of construction technology delivers **Productivity Solutions** to help you get more done, more efficiently. The in-base, five-year JDLink™ telematics subscription provides machine location, utilization data, and alerts to help you maximize productivity and efficiency. Other productivity solutions include grade-management options for multiple machine forms and payload weighing for wheel loaders and articulated dump trucks.

To maximize uptime and lower costs, JDLink telematics also enables **John Deere Connected Support.**™ John Deere's centralized Machine Health Monitoring Center analyzes data from thousands of connected machines, identifies trends, and develops recommended actions, called Expert Alerts, to help prevent downtime. Dealers use Expert Alerts to proactively address conditions that may otherwise likely lead to downtime. Your dealer can also monitor machine health and leverage remote diagnostics and programming capability to further diagnose problems and even update machine software without a time-consuming trip to the jobsite.



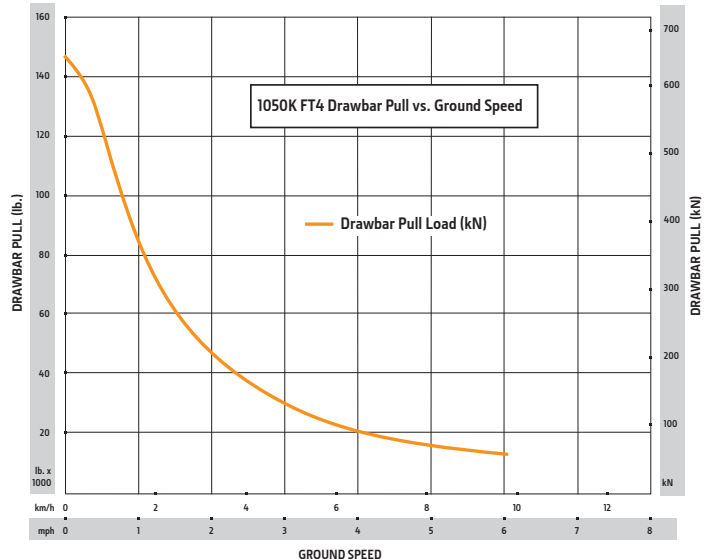
On rocky ground, in waste environments, and for other specialized applications

A stockpiling package with large 32-cubic-yard coal blade is available for coal-stockpiling applications. If taking out trash is on the agenda, a purpose-built waste-handler package with choice of multiple blade options is available. Additional seals and guarding, a high-debris radiator, and a deluxe 10 LED worklight package that can help boost productivity at all hours are some of the heavy-duty features of both stockpiling and waste-handler packages. Ask your dealer about other available configurations designed to meet your particular application.



1050K SPECIFICATIONS

Engine	1050K OUTSIDE DOZER (OSD)
Blade Type	Semi-U / U
Manufacturer and Model	John Deere PowerTech™ PSS 6135
Non-Road Emission Standard	EPA Final Tier 4/EU Stage IV
Displacement	13.5L (824 cu. in.)
SAE Net Rated Power	261 kW (350 hp) at 1,800 rpm
Net Peak Torque	1576 Nm (1,162 lb.-ft.) at 1,300 rpm
Aspiration	Turbocharged and air-to-air aftercooled
Air Cleaner	Dual-element dry canister with external rotary ejector precleaner
Cooling	
Type	Variable-speed suction fan with automatic reversing
Engine Coolant Rating	-37 deg. C (-34 deg. F)
Engine Radiator	8 fins per in.
Powertrain	
Transmission	Automatic, dual-path, hydrostatic (HST) drive; load-sensing feature automatically adjusts speed and power to match changing load conditions; each individually controlled track is powered by a variable-displacement piston pump and motor combination; ground-speed selection buttons on single-lever steering and direction control; independently selectable reverse speed ratios of 100%, 115%, or 130% of forward ground speed; decelerator pedal controls ground speed to stop
System Relief Pressure	45 850 kPa (6,650 psi)
Travel Speeds — Forward and Reverse / Maximum (optional)	11 km/h (6.8 mph)
Steering	Single-lever steering, speed, direction control, and counter-rotation; full power turns and infinitely variable track speeds provide unlimited maneuverability and optimum control; HST steering eliminates steering clutches and brakes
Final Drives, Total Ratio	51.337
Drawbar Pull	
Maximum	650 kN (146,000 lb.)
At 1.9 km/h (1.2 mph)	334 kN (75,000 lb.)
At 3.2 km/h (2.0 mph)	209 kN (47,000 lb.)
Brakes	
Service	HST (dynamic) braking stops machine whenever the direction/steering control lever is moved to neutral or the decelerator is depressed to the end of travel
Parking	Exclusive safety feature engages wet, multiple-disc brakes whenever the engine stops, the decelerator is depressed to the end of travel, or the park lock lever is placed in the start or neutral positions and motion is detected; machine cannot be driven with brake applied, reducing wear-out or need for adjustment; spring-applied, hydraulic release
Hydraulics	
Type	Load-sensing electrohydraulic (EH) system with variable-displacement piston pump
Pump Displacement	145 cc
System Relief Pressure	24 993 kPa (3,625 psi)
Differential Pressure	1896 kPa (275 psi)
Maximum Flow at Unloaded High Idle	290 L/m (77 gpm)
Control	2-function EH T-bar joystick
Electrical	
Voltage	24 volts
Capacity	
Battery	950 CCA
Reserve	190 min.
Alternator Rating	130 amp
Lights	Cylinder mounted (2), rear-mounted cab (2), roof-mounted forward facing (2), engine compartment (1), and rear reflectors (2)



While general information, pictures, and descriptions are provided, some illustrations and text may include product options and accessories NOT AVAILABLE in all regions, and in some countries products and accessories may require modifications or additions to ensure compliance with the local regulations of those countries.

1050K SPECIFICATIONS



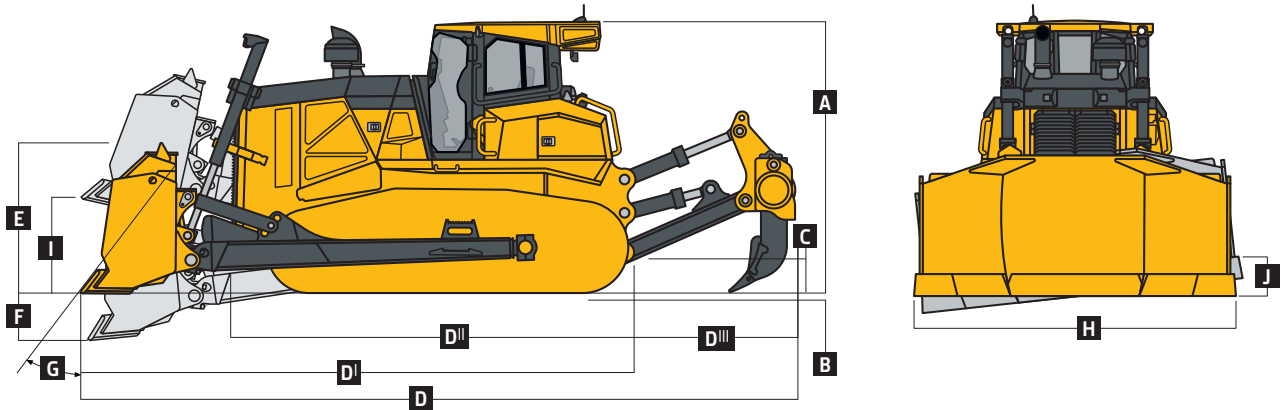
Undercarriage		1050K OSD	
Tracks	Track frame includes suspended double-bogie undercarriage design with sealed track-adjuster cavity, front and rear track guides, and sprocket guard; John Deere Dura-Trax™ features deep-heat-treated, sealed, and lubricated track links and through-hardened, sealed, and lubricated rollers for maximum wear resistance; sprockets are segmented; track shoes are extreme duty; pipelayer, waste-handler, and stockpile models have a fixed-roller undercarriage		
Track Gauge	2184.4 mm (86 in.)		
Grouser Width	610 mm (24 in.)		
Chain	Sealed and lubricated		
Shoes, Each Side	46		
Track Rollers, Each Side	8		
Track Length on Ground	3419 mm (134.6 in.)		
Ground Contact Area	41 684 cm ² (6,462 sq. in.)		
Ground Pressure	101 kPa (14.6 psi)		
Track Pitch	215.9 mm (8.5 in.)		
Operator Station			
ROPS (ISO 3471 – 2008) and FOPS (ISO 3449 – 2005)			
Serviceability			
Refill Capacities			
Fuel Tank with Lockable Cap	681 L (180 gal.)		
Diesel Exhaust Fluid (DEF) Tank (FT4 only)	22.9 L (6.1 gal.)		
Cooling System with Recovery Tank	73.5 L (19.4 gal.)		
Engine Oil with Filter	43.5 L (11.5 gal.)		
Reservoir with Filter (oil volume of tank only)			
Transmission	149 L (39.44 gal.)		
Hydraulic	87 L (23 gal.)		
Operating Weights			
Blade Type	Semi-U	U	
Base Weight (includes standard equipment, blade, rollover protective structure [ROPS], single-shank ripper, 610-mm [24 in.] track shoes, full fuel tank, and 79-kg [175 lb.] operator)	43 270 kg (95,400 lb.)	43 590 kg (96,100 lb.)	
Optional Components			
Front and Door Screens	61 kg (135 lb.)	61 kg (135 lb.)	
Rear Screen	36 kg (80 lb.)	36 kg (80 lb.)	
Side Screens	41 kg (90 lb.)	41 kg (90 lb.)	
Condenser Guard	19 kg (42 lb.)	19 kg (42 lb.)	
Limb Risers	755 kg (1,664 lb.)	755 kg (1,664 lb.)	
Rear Counterweight	2232 kg (4,921 lb.)	2232 kg (4,921 lb.)	
Retrieval Hitch (standard drawbar on counterweight)	65 kg (143 lb.)	65 kg (143 lb.)	
Winch (includes 3-roller fairlead)	1905 kg (4,200 lb.)	1905 kg (4,200 lb.)	
Mounting Plate	1115 kg (2,458 lb.)	1115 kg (2,458 lb.)	
Blade Rock Rack and Wear Plate	746 kg (1,645 lb.)	732 kg (1,614 lb.)	
Blade Push Plate	325 kg (718 lb.)	—	
Heating, Ventilating, and Air-Conditioning (HVAC)-Powered Precleaner	20 kg (44 lb.)	20 kg (44 lb.)	
Track Shoes			
610 mm (24 in.) Extreme Duty	In base	In base	
610 mm (24 in.) Trapezoidal	—	—	
660 mm (26 in.) Extreme Duty or Trapezoidal	249 kg (548 lb.)	249 kg (548 lb.)	
710 mm (28 in.) Extreme Duty or Trapezoidal	497 kg (1,096 lb.)	497 kg (1,096 lb.)	

While general information, pictures, and descriptions are provided, some illustrations and text may include product options and accessories NOT AVAILABLE in all regions, and in some countries products and accessories may require modifications or additions to ensure compliance with the local regulations of those countries.

1050K

Machine Dimensions		1050K OSD		
Blade Type	Semi-U	U	Mechanical Angle	
A	Overall Height to Roof	3476 mm (11 ft. 5 in.)	3476 mm (11 ft. 5 in.)	3476 mm (11 ft. 5 in.)
B	Tread Depth with Single-Bar Grouser, Extreme Duty or Trapezoidal	85 mm (3.3 in.)	85 mm (3.3 in.)	85 mm (3.3 in.)
C	Ground Clearance in Dirt (includes grouser height)	537 mm (21 in.)	537 mm (21 in.)	537 mm (21 in.)
D	Overall Length with Blade and Ripper	8780 mm (346 in. / 28 ft. 10 in.)	9093 mm (358 in. / 29 ft. 10 in.)	8798 mm (346 in. / 28 ft. 10 in.)
D ^I	Overall Length with Blade	6678 mm (263 in. / 21 ft. 11 in.)	6991 mm (275 in. / 22 ft. 11 in.)	6697 mm (264 in. / 22 ft. 0 in.)
D ^{II}	Overall Length without Ripper and Blade	5137 mm (202 in. / 16 ft. 10 in.)	5137 mm (202 in. / 16 ft. 10 in.)	—
D ^{III}	Overall Length with Ripper (no blade)	7239 mm (285 in. / 23 ft. 9 in.)	7239 mm (285 in. / 23 ft. 9 in.)	—
	Overall Length with Winch and Fairlead Rollers	7738 mm (305 in. / 25 ft. 5 in.)	8184 mm (322 in. / 26 ft. 10 in.)	7757 mm (305 in. / 25 ft. 5 in.)
	Overall Length with Drawbar	—	—	6989 mm (275 in. / 22 ft. 11 in.)
E	Blade Lift Height	1099 mm (43 in. / 3 ft. 7 in.)	1099 mm (43 in. / 3 ft. 7 in.)	1294 mm (51 in. / 4 ft. 3 in.)
F	Blade Digging Depth	707 mm (28 in.)	707 mm (28 in.)	780 mm (31 in.)
G	Blade Cutting-Edge Angle			
	Standard	53.5 to 59.5 deg.	53.5 to 59.5 deg.	58.5 deg.
	Power Pitch	52.6 to 60.4 deg.	52.6 to 60.4 deg.	—
H	Blade Width	4149 mm (163 in. / 13 ft. 7 in.)	3987 mm (157 in. / 13 ft. 1 in.)	5139 mm (202 in. / 16 ft. 10 in.)
I	Blade Height	1872 mm (74 in. / 6 ft. 2 in.)	1903 mm (75 in. / 6 ft. 3 in.)	1390 mm (55 in. / 4 ft. 7 in.)
	Blade Angle	—	—	25 deg.
	SAE Capacity	10.7 m ³ (14.0 cu. yd.)	11.3 m ³ (14.7 cu. yd.)	6.9 m ³ (9.0 cu. yd.)
	Blade Weight	3019 kg (6,656 lb.)	3672 kg (8,095 lb.)	3874 kg (8,541 lb.)
	Assembly Weight (without blade)			
	Push Beam	2984 kg (6,578 lb.)	2984 kg (6,578 lb.)	—
	C-Frame	—	—	2846 kg (6,274 lb.)
	Overall Width with Blade Angled	—	—	4666 mm (184 in. / 15 ft. 4 in.)
J	Blade Tilt	832 mm (33 in.)	798 mm (31 in.)	747 mm (29 in.)
	Cut Reach	—	—	632 mm (25 in.)
	Width Over Track	2794 mm (110 in. / 9 ft. 2 in.)*	2794 mm (110 in. / 9 ft. 2 in.)	2794 mm (110 in. / 9 ft. 2 in.)
	Cast Reach	—	—	1241 mm (49 in. / 4 ft. 1 in.)
	Width Over Trunnions	3408 mm (134 in. / 11 ft. 2 in.)	3408 mm (134 in. / 11 ft. 2 in.)	3408 mm (134 in. / 11 ft. 2 in.)

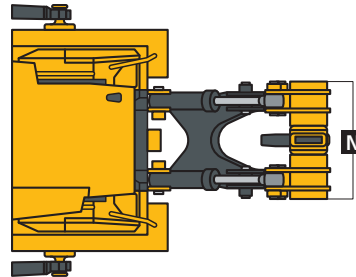
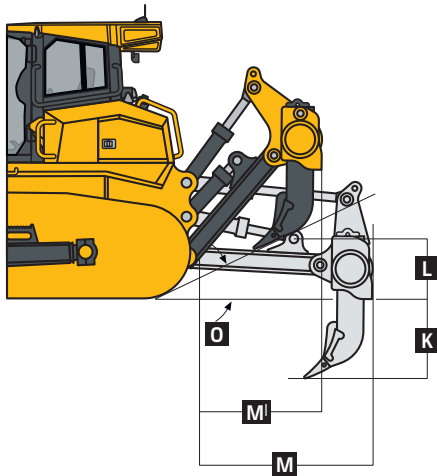
*No trunnions.



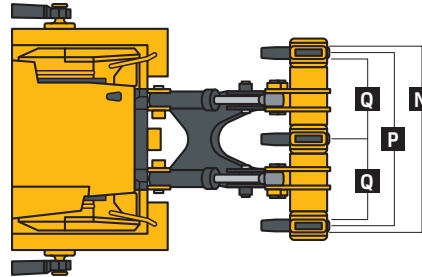
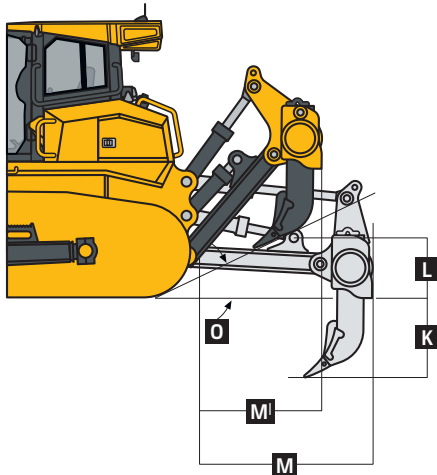
1050K DOZER WITH OUTSIDE DOZER (OSD) BLADE

While general information, pictures, and descriptions are provided, some illustrations and text may include product options and accessories NOT AVAILABLE in all regions, and in some countries products and accessories may require modifications or additions to ensure compliance with the local regulations of those countries.

Rear Ripper		1050K OSD	
Blade Type		<i>Semi-U / U</i>	
Ripper Type		<i>Single Shank</i>	<i>Multi Shank</i>
Weight		3793 kg (8,362 lb.)	4586 kg (10,110 lb.)
K	Maximum Penetration	1102 mm (43 in. / 3 ft. 7 in.)	780 mm (31 in.)
L	Maximum Clearance Under Tip	727 mm (29 in.)	689 mm (27 in.)
M	Added Length, Lowered (transport) Position	2260 mm (89 in. / 7 ft. 5 in.)	2116 mm (84 in. / 7 ft. 0 in.)
M^l	Added Length, Raised Position	1880 mm (74 in. / 6 ft. 2 in.)	1745 mm (69 in. / 5 ft. 9 in.)
N	Overall Beam Width	1418 mm (56 in. / 4 ft. 8 in.)	2527 mm (100 in. / 8 ft. 4 in.)
O	Slope Angle (full raise)	26 deg.	25 deg.
P	Ripping Width	—	2184 mm (86 in. / 7 ft. 2 in.)
Q	Distance Between Shanks	—	1092 mm (43 in. / 3 ft. 7 in.)



1050K DOZER WITH SINGLE-SHANK REAR RIPPER



1050K DOZER WITH MULTI-SHANK REAR RIPPER

While general information, pictures, and descriptions are provided, some illustrations and text may include product options and accessories NOT AVAILABLE in all regions, and in some countries products and accessories may require modifications or additions to ensure compliance with the local regulations of those countries.

Additional equipment

Key: ● Standard ▲ Optional or special

See your John Deere dealer for further information.

1050K Engine
● Meets EPA Final Tier 4/EU Stage IV emissions
● John Deere PowerTech™ PSS 6135 13.5L engine
● Wet-sleeve cylinder liners
● Eco mode
● Exhaust stack, black
▲ Exhaust stack, chrome
● Electronic control with automatic engine protection
● Turbocharged and air-to-air aftercooled
● Exhaust filter, under hood, with vertical stack
● Dual-element dry canister with external rotary ejector precleaner
● Programmable auto engine shutdown
● Automatic turbo cool-down timer
● Remote-mounted fuel filters with automatic electronic priming
▲ Severe-duty fuel lines and fittings
▲ Engine coolant heater, 120 volt
▲ Automatic ether start aid
● 130-amp alternator
Cooling
● Engine coolant rated -37 deg. C (-34 deg. F)
● Hydraulically driven cooling fan, variable-speed suction type
● Automatic, programmable reversing fan
● Engine radiator, 8 fins per inch
▲ Engine radiator, waste handler, 6.3 fins per inch
● Perforated engine side shields
Powertrain
● Dual-path hydrostatic (HST) transmission
● Selectable reverse-speed ratios (100%, 115%, and 130% presets)
● Operator-selectable decelerator function (hydrostats and engine or hydrostats only)
● Single-lever steering with counter-rotate function
● Full power turns with infinitely variable track speed
● HST (dynamic) service brakes
● Wet, multi-disc parking brake
● Vented dedicated transmission reservoir and filtration system separate from hydraulic system
Hydraulics
● Load-sense electrohydraulic (EH) system with variable-displacement piston pump
▲ 2-spool EH control valve for outside dozer (OSD)
▲ 3-spool EH control valve for OSD with single auxiliary
▲ 4-spool EH control valve for OSD with dual auxiliary

1050K Hydraulics (continued)
▲ 5-spool EH control valve for OSD with triple auxiliary
● Grade-control-ready EH hydraulics
● Hydrau™ All-Season Hydraulic Oil, -25 deg. C to 50 deg. C (-13 deg. F to 122 deg. F)
▲ Hydrau™ XR Hydraulic Oil, -40 deg. C to 40 deg. C (-40 deg. F to 104 deg. F); includes artic-hose package for external plumbing
● Vented dedicated hydraulic reservoir and filtration system separate from transmission system
▲ Power pitch for OSD
▲ Hydraulic-winch-ready kit
Undercarriage
● Suspended double-bogie undercarriage design
▲ Heavy-duty fixed-roller undercarriage design (pipelayer, waste-handler, and stockpile configurations)
● Sealed track adjuster cavity
● Extreme-duty shoes, 610 mm (24 in.)
▲ Extreme-duty shoes, 660 mm (26 in.)
▲ Extreme-duty shoes, 710 mm (28 in.)
▲ Extreme-duty shoes, trapezoidal, 610 mm (24 in.)
▲ Extreme-duty shoes, trapezoidal, 660 mm (26 in.)
▲ Extreme-duty shoes, trapezoidal, 710 mm (28 in.)
▲ Sprocket segments with recesses
▲ Trash guard, final drive
● Heavy-Duty sealed and lubricated track (SALT) undercarriage
▲ Extended Life SALT undercarriage with SC-2™ bushings
Operator's Station
● Enclosed cab with air conditioner/heater
● High-visibility, bright-orange, retractable seat belt, 76 mm (3 in.) (conforms to SAE J386)
● Standard seat, fabric with heavy-duty air suspension
▲ Deluxe seat, heated with heavy-duty air suspension and leather bolstered
● AM/FM/Weather-Band (WB) radio with USB and auxiliary port
▲ Premium radio with Bluetooth, AM/FM/WB radio with USB and auxiliary port (CAB)
▲ HVAC-powered precleaner
● Tilt operator station service access
● 178-mm (7 in.) color, multi-language Primary Display Unit (PDU)
● Built-in diagnostics: Diagnostic-code details / Sensor values / Calibrations / Individual circuit tester
● Backup alarm

1050K Operator's Station (continued)
● Batteries (4), 24 volts
● 12-volt accessory plug
● Keyless start with multiple security codes
● Lockable dash-mounted storage compartment
Overall Vehicle
● Environmental drain package
● Fluid-sample valves
● JDLink™ wireless machine communication system (available in specific countries; see your local dealer for details)
▲ Quick service ports (HST, hydraulic, and engine oil, and coolant)
▲ Fast-fuel system
● Halogen lights (6 total): cylinder mounted (2); rear cab mounted (2); and roof mounted, front facing (2)
● Reflectors, rear facing (2)
▲ LED lights: cylinder-mounted front (2) and cab-mounted front (2) and rear (2)
▲ Deluxe LED work lights: cylinder-mounted front (4) and cab-mounted front (2) and rear (4)
● Engine-compartment light
▲ Beacon light
▲ Topcon-ready interface package
▲ Trimble-ready interface package
▲ Leica-ready interface package
● Lockable master electrical disconnect switch
▲ Waste-handler package
▲ Cab screens, full, side, and rear
▲ Forestry limb risers (sweeps)
▲ Stockpile package
Attachments
▲ Less blade
▲ U Blade, 3976 mm (157 in.)
▲ Semi-U Blade, 4142 mm (163 in.)
▲ Mechanical-Angle Blade, 5139 mm (202 in.)
▲ Coal blade, 5493 mm (216 in.)
▲ Waste-handler trash rack for Semi-U and U blades
▲ Rock rack and wear skin
▲ Push plate
▲ Standard end bits and cutting edges
▲ Heavy-duty end bits and cutting edges
● Cast end bits and cutting edges
▲ Ripper, multi-shank
▲ Ripper, single shank
▲ Ripper, single shank with hydraulic pin puller
▲ Rear counterweight, 2232 kg (4,921 lb.)
▲ Retrieval hitch
▲ Winch-ready kit with mounting plate and rear screen
▲ Rear storage compartment with strikers

While general information, pictures, and descriptions are provided, some illustrations and text may include product options and accessories NOT AVAILABLE in all regions, and in some countries products and accessories may require modifications or additions to ensure compliance with the local regulations of those countries.

Net engine power is with standard equipment including air cleaner, exhaust system, alternator, and cooling fan at test conditions specified per ISO9249. No derating is required up to 3050-m (10,000 ft.) altitude. Specifications and design subject to change without notice. Wherever applicable, specifications are in accordance with SAE standards. Except where otherwise noted, these specifications are based on a unit with standard equipment, modular ROPS/cab, full fuel tank, and 79-kg (175 lb.) operator.

